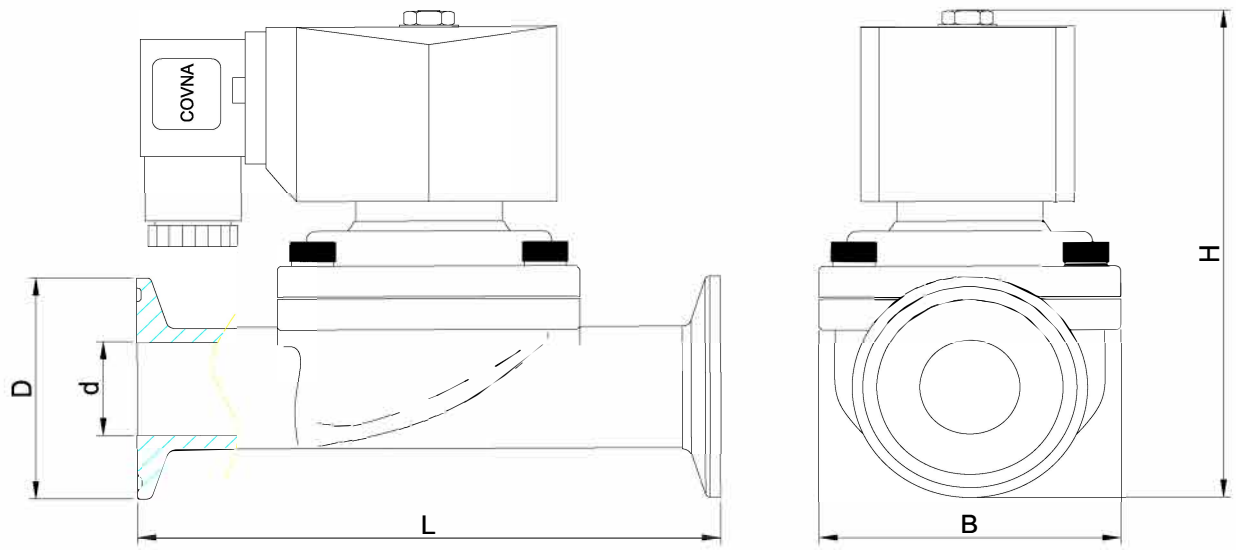


REVISIONS				
ZONE	REV	DESCRIPTION	DATE	APPROVED



Food Grade Sanitary Stainless Steel Solenoid Valve	
Item/Model	HK0018
Type	Normally Closed Normally Open
Medium temperature	0-80°C
Medium	Medium: Water, Air, Alcohol, Soft drink, oil, Hot water, Steam, gas
Connection	Clamps, Internal thread, External thread, Flang
Orifice (mm)	15-100
Bore	1/2"-4"
Working pressure	0-1.0MPa
Voltage	AC220V, DC24V
Power	25W
Body Material	Stainless steel 304, 316,316L
Seal Material	NBR, EPDM, FKM, PSI
Ambient temperature	≤60°C
Degree of protection	IP65
Explosion levels	Ex dIIBT4, Ex dIICT5
Installation Tips	Priority to coil upright

Size	G	d	D	L	B	H
DN10	3/8"	15	25.0/34.0	95	50	125
DN15	1/2"	15	50.5	95	50	125
DN20	3/4"	20	50.5	100	60	128
DN25	1"	25	50.5	140	75	138
DN32	1 1/4"	32	50.5	158	100	155
DN40	1 1/2"	40	64.0	160	105	175
DN50	2"	50	77.5	195	130	180

TOLERANCE
UNLESS OTHERWISE SPECIFIED
DECIMALS: .0 ± .1
 .00 ± .01
 .000 ± .005
ANGLES: MACH. ±1°00'
 FORMED ±2°
FRACTIONS: ± 1/16"
APPROVED BY
 BOND
CHECKED BY
 JULIA
DRAWING BY
 C L

科威纳 COVNA VALVE COVNA GROUP CO.,LTD

TITLE			
HK0018 Solenoid Valve			
FSCM:	DWG NO.	REV	A
SIZE mm	SCALE 1:1	SHEET	SHEET 1 OF 1